

LED Intelligent Dimming Signal Converter

- Dimming interface: DALI, Push Dim.
- Optional output: 0-10V, 5V PWM, 10V PWM.
- 4 DALI addressable output channels.
- Built-in relay for ON/OFF control of LED driver.
- Dimming range: 0.1~100%.
- Full protective plastic housing.
- DALI bus standard: IEC62386-101,102, 207.
- Compliant with Safety Extra Low Voltage standard.
- Suitable for indoor environments.



Main Characteristics

Dimming Interface:	DALI (IEC62386), Push Dim	
Output Signal:	0-10V × 4CH (default) 5V PWM × 4CH 10V PWM × 4CH	} Default:0-10V, if need the other two models, please specify when make orders.
Dimming Range:	0.1~100%	
Output Signal Logic:	High potential	
Input Voltage Range:	100-240Vac ± 10%	
Frequency:	50/60Hz	
AC Current(typ.):	0.02A	
Inrush Current(typ.):	Cold start 25A@230Vac	

Leakage Current:	<0.5mA/240Vac
Power Consumption:	115Vac@0.8W 230Vac@1.0W
Relay Switch:	240Vac/8A
Working Temperature:	tc: 75°C ta: -30°C ~ 55°C
Working Humidity:	20 ~ 95%RH, non-condensing
Storage Temp., Humidity:	-40 ~ 80°C, 10~95%RH
Vibration:	10~500Hz, 2G 12min./1cycle, period for 72min. each along X, Y, Z axes.

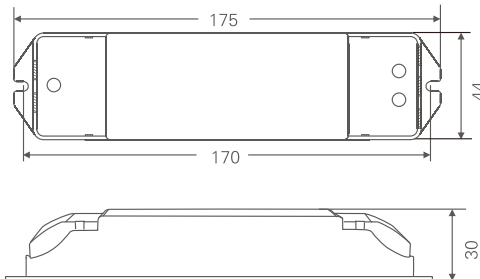
Others

Dimension:	175×44×30mm (L×W×H)
Packing:	178×48×33mm (L×W×H)
Weight(N.W.):	120g±10g

Safety & EMC

Withstand Voltage:	I/P-O/P: 3750Vac
Isolation Resistance:	I/P-O/P: 100MΩ/500VDC/25°C/70%RH
Safety Standards:	IEC/EN61347-1, IEC/EN61347-2-13
EMC Emission:	EN55015, EN61000-3-2, EN61000-3-3
EMC Immunity:	EN61000-4-2,3,4,5,6,8,11 EN61547

Dimensions



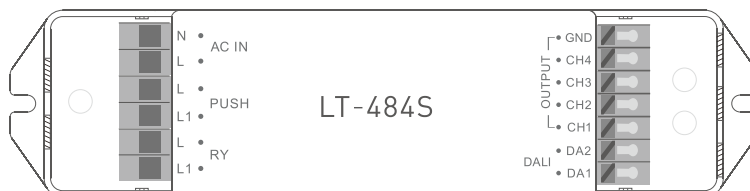
Push Dimming



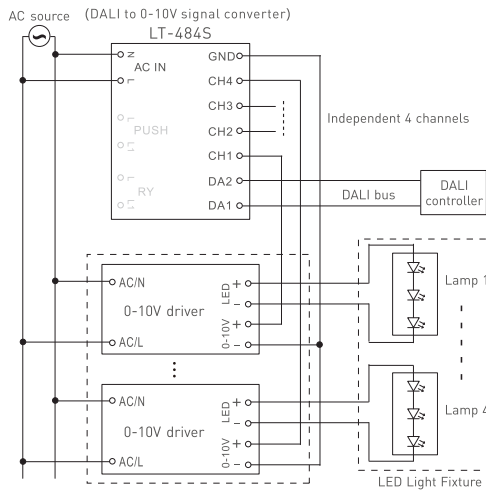
Reset Switch

- On/off control: Short press.
- Stepless dimming: Long press.
- With every other long press, the light level goes to the opposite direction.
- Dimming memory: Brightness will be the same as previously adjusted when turning off and on again.

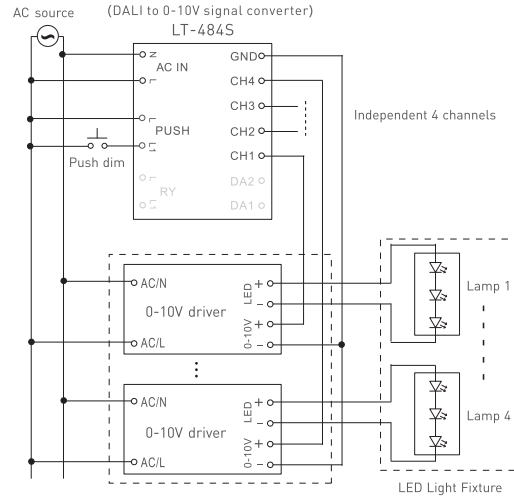
Configuration Diagram



DALI Connection

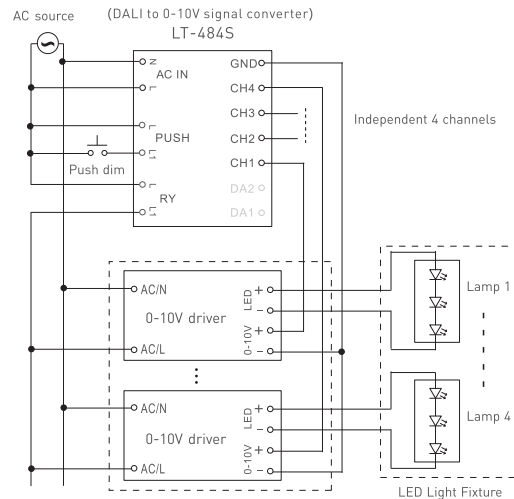
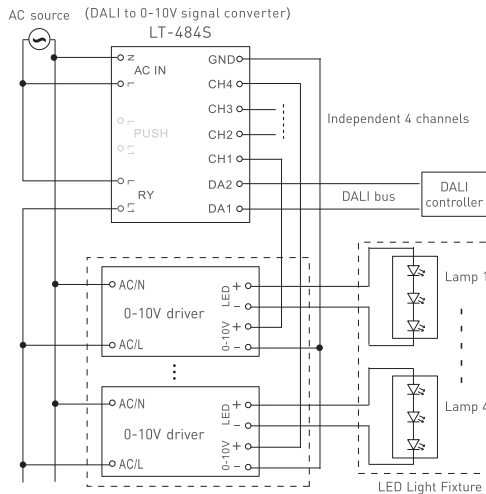


Push Dim Connection



- * Please make sure the maximum voltage drop between DALI controller and LT-484S should not be higher than 2V. (Maximum cable length for 1.5mm² cables is 300m)
- * Each channel is individually addressable, light intensity of LED driver connected to the same channel will be the same; the maximum allowable voltage drop between the LT-484S and LED driver should not be higher than 0.5V; Maximum cable length for 1.5mm² cable is 300m.

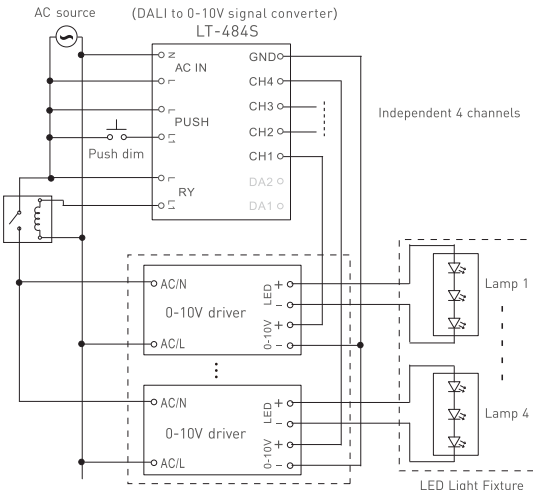
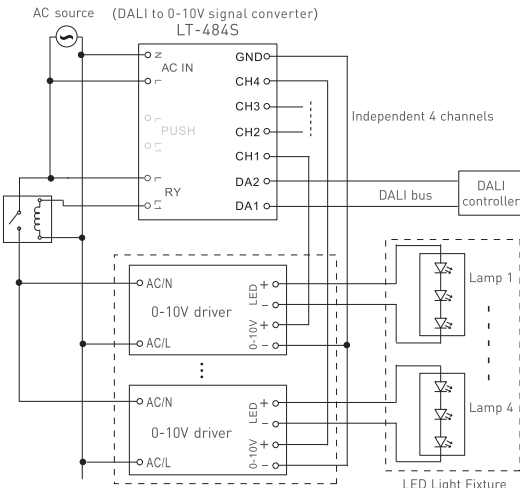
Built-in Relay Connection



- * The LT-484S is equipped with a relay that can be used to turn ON/OFF LED driver. The relay is in the closed position when the CH1 generates dimming signal, the relay is in the open position when there is no output signal on the CH1.

External Relay Connection

An additional magnetic switch is needed when the total input current of the LED driver is higher than 8A or inrush current is greater than 50A, please refer to the figure.



- * Note: Light intensity of LEDs in the same group may be decreased when one of the LED driver is AC OFF.